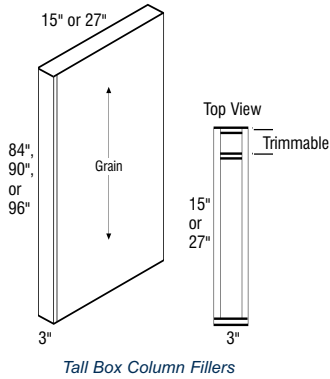
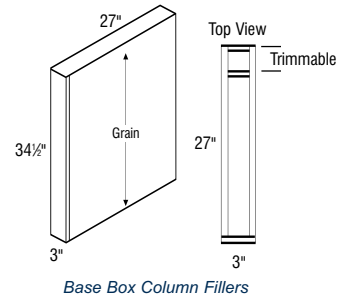
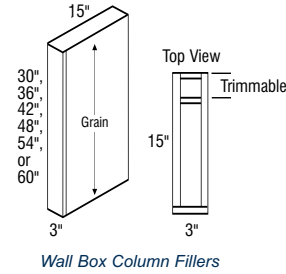
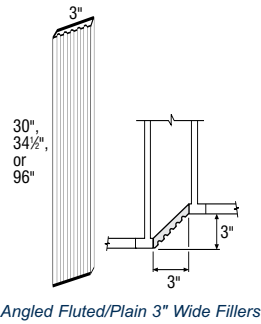
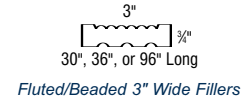
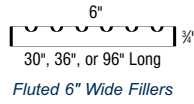
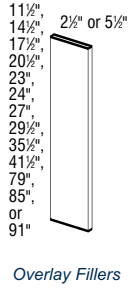
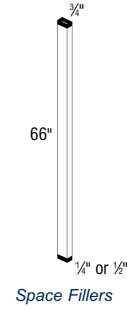
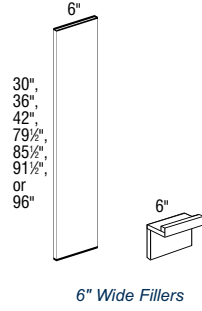
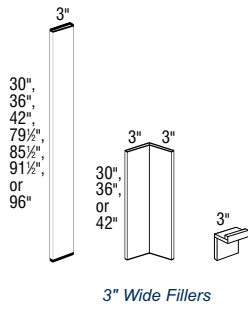


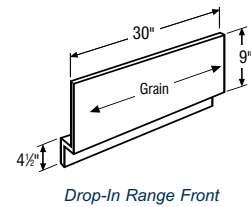
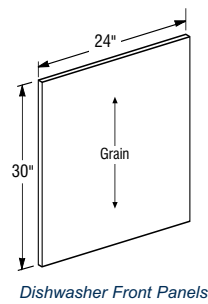
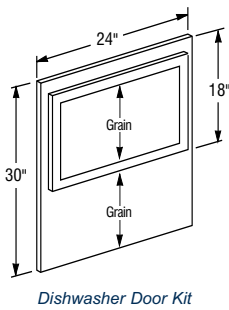
SPECIFICATIONS & SIZES

FILLERS, PANELS, & SKINS

Fillers

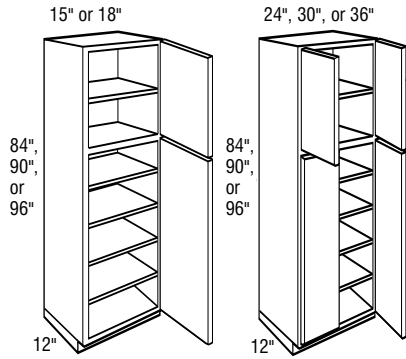


Panels & Skins

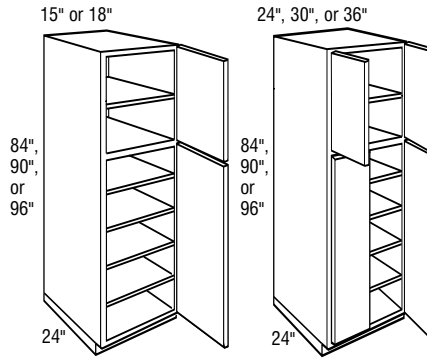


SPECIFICATIONS & SIZES

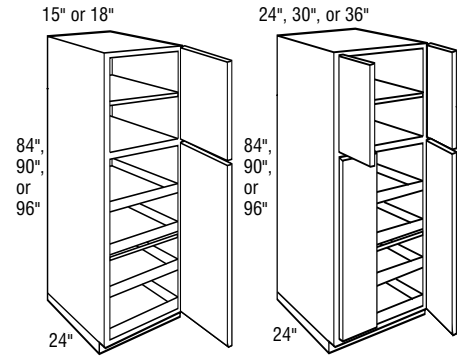
TALL CABINETS



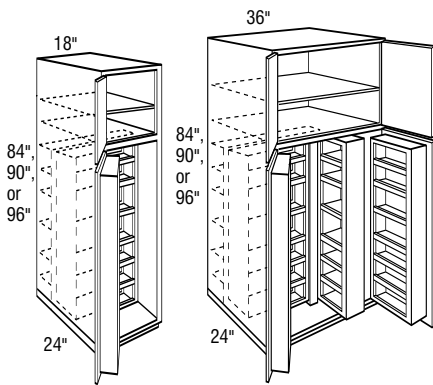
Utility Cabinets, 12" Deep



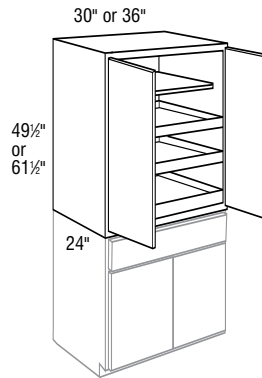
Utility Cabinets, 24" Deep



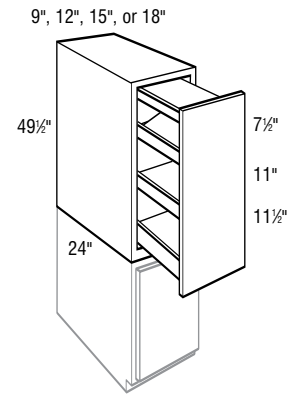
Utility Cabinets with Sliding Shelves Included, 24" Deep



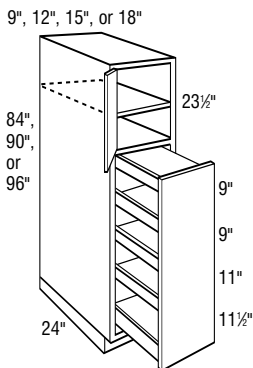
Pantry Units, 24" Deep



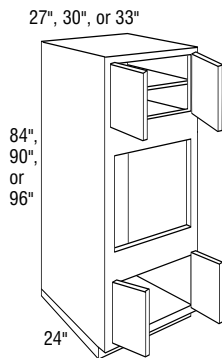
Pantry Top Units



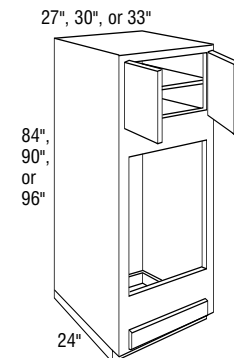
Pantry Top Units with Pullout



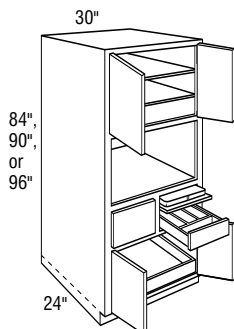
Tall Pantry Pullouts



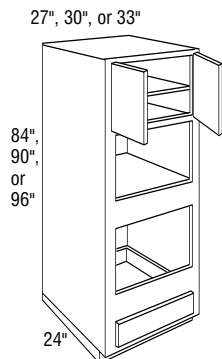
Single Oven Cabinets, 24" Deep



Double Oven Cabinets, 24" Deep



Oven Microwave Cooking Centers, 24" Deep



Oven Microwave Cabinets, 24" Deep