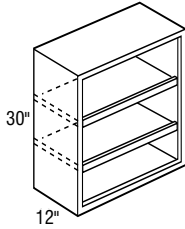


SPECIFICATIONS & SIZES

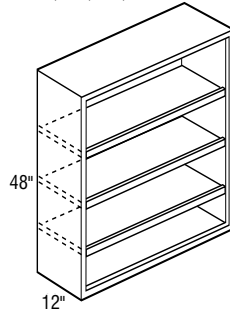
OFFICE & FURNITURE

18", 24", 30", or 36"



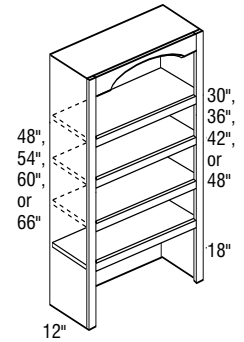
30" High Bookcases

18", 24", 30", or 36"



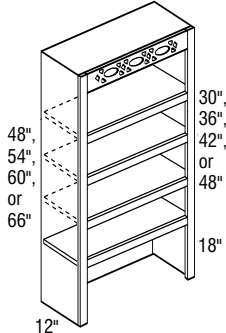
48" High Bookcases

18", 24", 30", or 36"



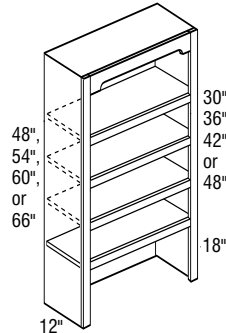
Wall Bookcases with Arched Valance

18", 24", 30", or 36"



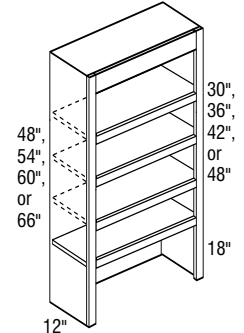
Wall Bookcases with Frieze Valance

18", 24", 30", or 36"



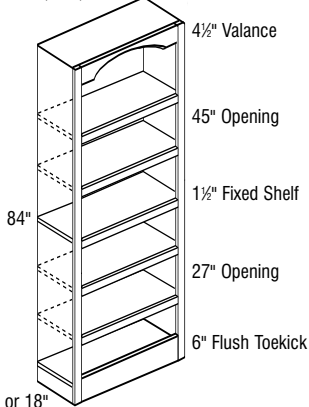
Wall Bookcases with Furniture Valance

18", 24", 30", or 36"



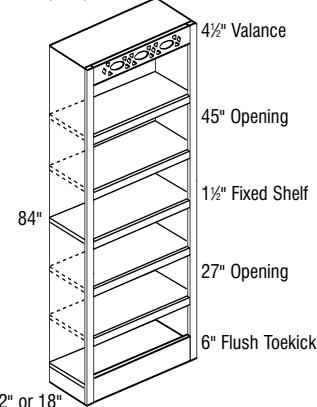
Wall Bookcases with Straight Valance

24", 30", or 36"



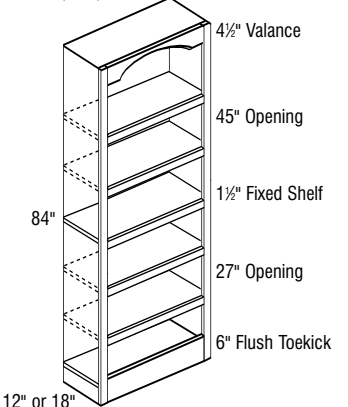
Tall Bookcases with Arched Valance

24", 30", or 36"



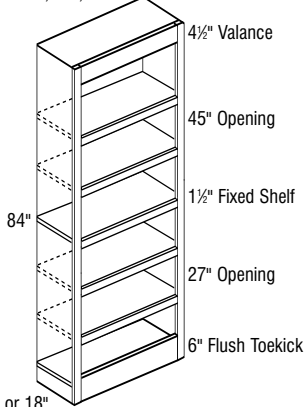
Tall Bookcases with Frieze Valance

24", 30", or 36"



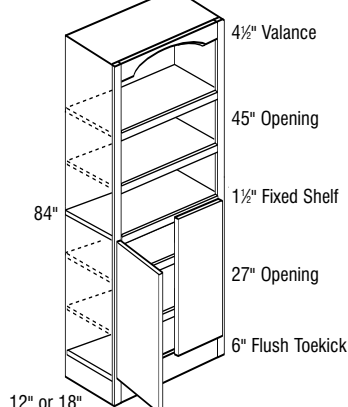
Tall Bookcases with Furniture Valance

24", 30", or 36"



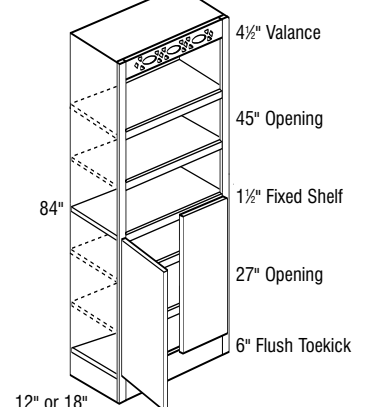
Tall Bookcases with Straight Valance

24", 30", or 36"



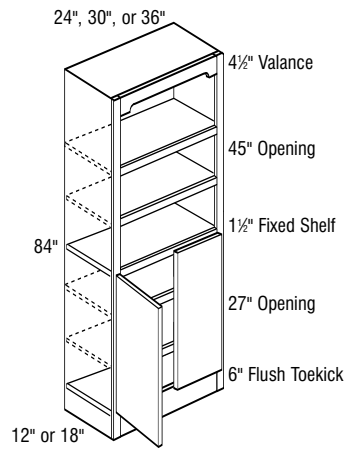
Tall Bookcases with Doors & Arched Valance

24", 30", or 36"

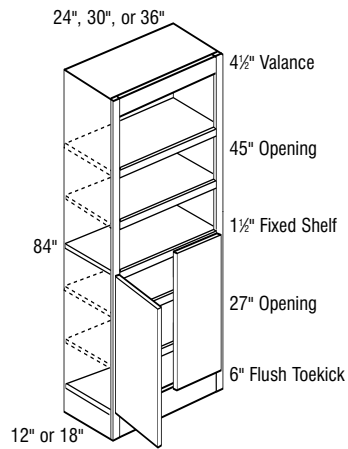


Tall Bookcases with Doors & Frieze Valance

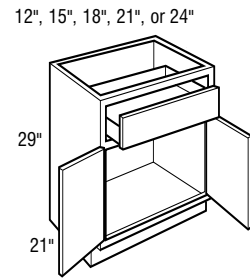
SPECIFICATIONS & SIZES



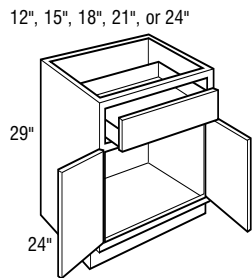
Tall Bookcases with Doors & Furniture Valance



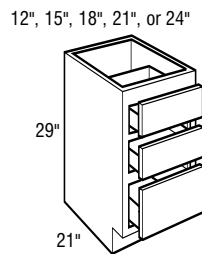
Tall Bookcases with Doors & Straight Valance



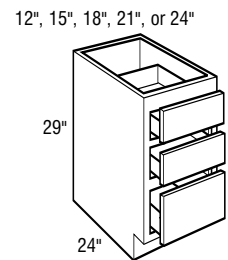
Desk Door Drawer Bases, 21" Deep



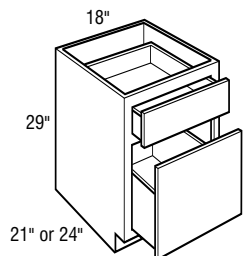
Desk Door Drawer Bases, 24" Deep



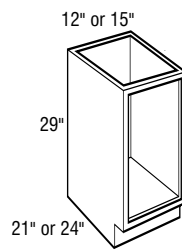
Desk Drawer Bases, 21" Deep



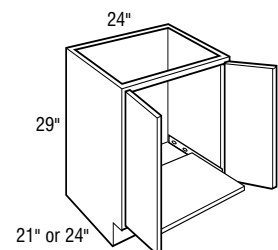
Desk Drawer Bases, 24" Deep



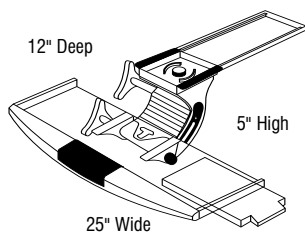
Desk File Drawer Bases



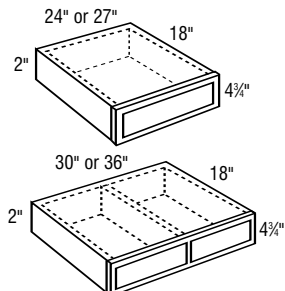
CPU Bases



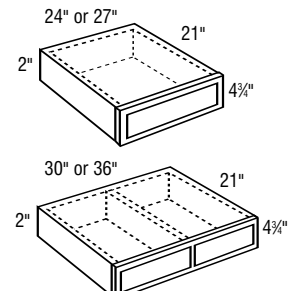
Printer Bases



Keyboard Tray



Under Counter Drawer Cabinets, 18" Deep



Under Counter Drawer Cabinets, 21" Deep